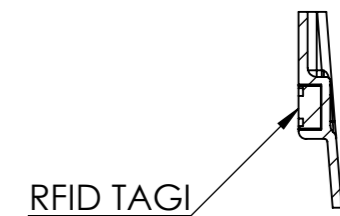
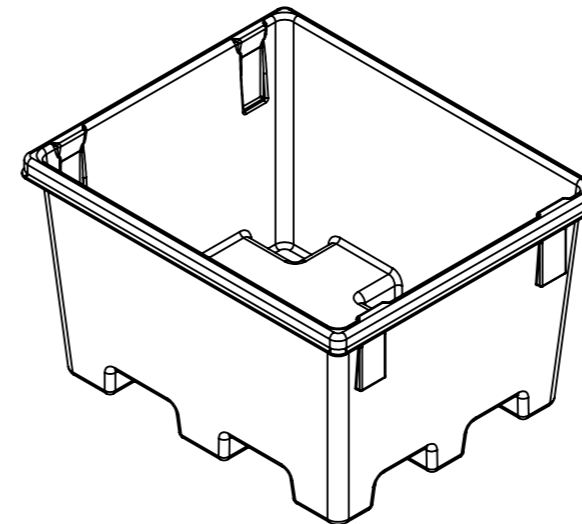
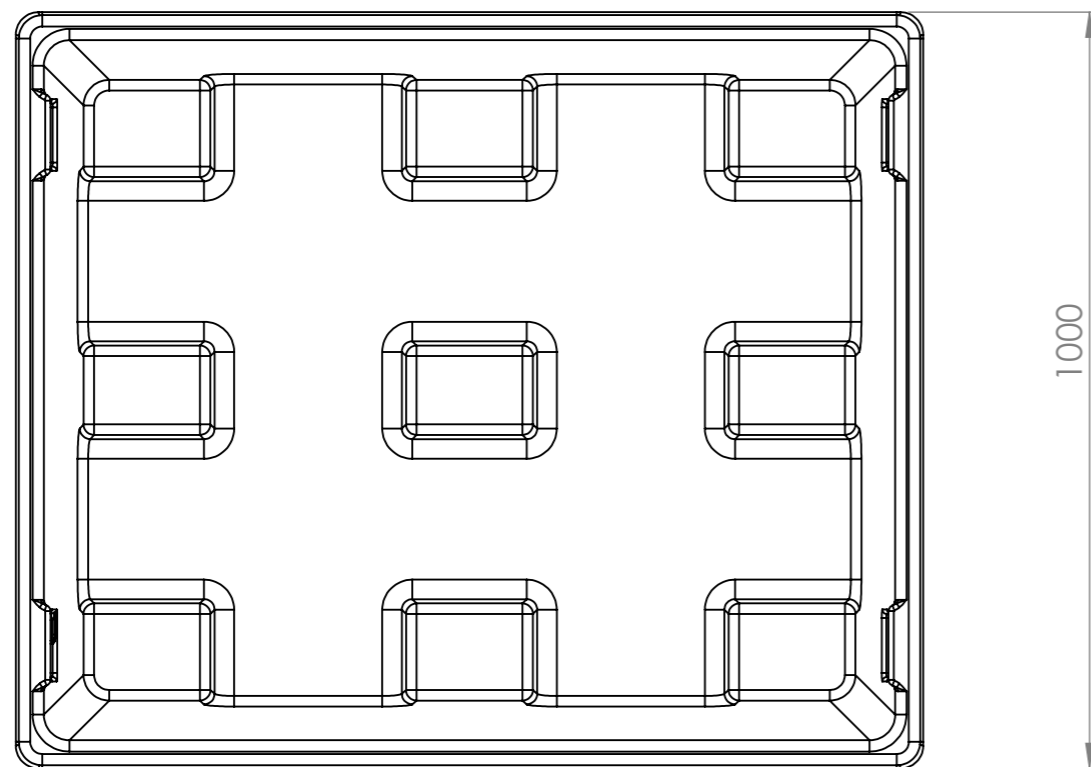


DETAIL A
SCALE 1 : 5



SECTION B-B
SCALE 1 : 5



TOLERANCE TABLE	
DISTANCE	TOLERANCE +/-
10-50	4
51-150	10
151-300	15
301-600	20
601-900	25
901-1200	30
1201-1500	35

UNLESS OTHERWISE SPECIFIED: DIMENSIONS ARE IN MILLIMETERS SURFACE FINISH: TOLERANCES: LINEAR: ANGULAR:			FINISH:		DEBUR AND BREAK SHARP EDGES		DO NOT SCALE DRAWING		REVISION		
DRAWN T.Vienamo			SIGNATURE		DATE 18.10.-24		TITLE:				
CH'K'D							Motoral Oy Motoplast Valuraudankuja 5 00700 Helsinki				
APPV'D											
MFG											
Q.A											
					MATERIAL: PE		DWG. NO. BT-600-1000 lavapohja		A3		
					WEIGHT:		SCALE:1:20		SHEET 1 OF 1		